

INSTALLATION GUIDELINES

1. Maintain line pressure at 80 to 100 PSIG
2. Keep compressed air lines sized adequately to minimize pressure drop. For lengths to 25 feet use ¼" pipe or 3/8" ID hose. For lengths to 50 feet, use 3/8" pipe or ½" hose. For lengths to 100 feet, use ½" pipe or 5/8" ID hose. Do not use any fittings that can restrict air flow such as quick disconnects.
3. Use adequate filtration to keep air line free of moisture and dirt. All kits come supplied with a properly sized filter for water removal. Use an oil filter as well if there are oil problems in the air line.

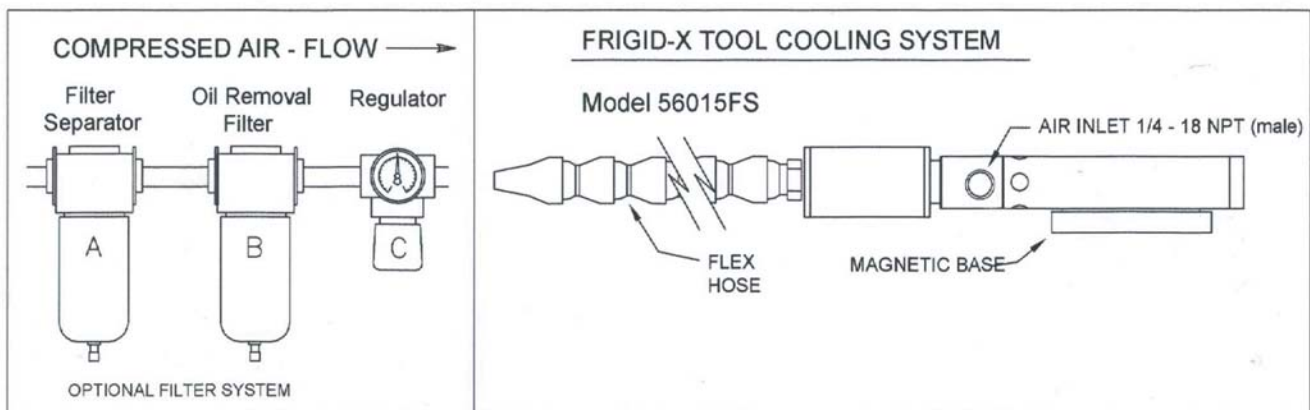
USE OF THE FRIGID-X™ TOOL COOLING SYSTEM

1. Mount the unit where appropriate to be able to direct the cold air onto the part or spot to be cooled using the flexible hose provided in the kit.
2. Both a fan nozzle and cone nozzle are supplied. Make sure the nozzle is as close to the area to be cooled as possible and try to be within ½" on the part.
3. The temperature can be reduced along with the air flow by using a regulator. Lower air flow will reduce overall air use should the maximum cooling effect not be required.

TROUBLESHOOTING AND MAINTENANCE OF THE UNIT

1. **INLET TEMPERATURE IS HIGH** – if the compressed air supply lines are warm or hot due to compressed air being heated by running in hot areas like furnaces, in direct sunlight or across ceilings, then the unit will not refrigerate as well. Seek out alternative air supply.
2. **INLET PRESSURE LOW** – Restrictions in the air supply line from restrictive fittings, small air lines, etc. will create excessive pressure drop and lower performance. Remove restrictions and increase air line size to correct.
3. **INLET TEMPERATURE NORMAL AND LINE PRESURE NORMAL BUT OUTPUT POOR** – Excessive back pressure at the cold outlet will reduce performance. Always use either the hose kit supplied and keep a minimum of 3/8" ID in any hose used to minimize back pressure. Sometimes the cold outlet will freeze if water is in the system. That can be corrected by blowing air with an air gun into the cold end muffler while the unit is turned off or, turn of the unit to thaw. To prevent freezing again, add a dryer to the compressed air supply line.

Maintenance is normally not required if the unit is properly filtered but if cleaning is necessary it can be easily dismantled, cleaned and re-assembled.



For product support, please contact Engineering and Sales at:
NueAir Engineered Products Cincinnati, OH 45215
E-mail: engineer@nueair.com PH: 1-513-761-1956 www.nueair.com